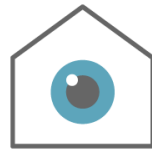


BAS_GPRS



BA SYSTEMS
BUILDING AUTOMATION SYSTEMS

Datasheet

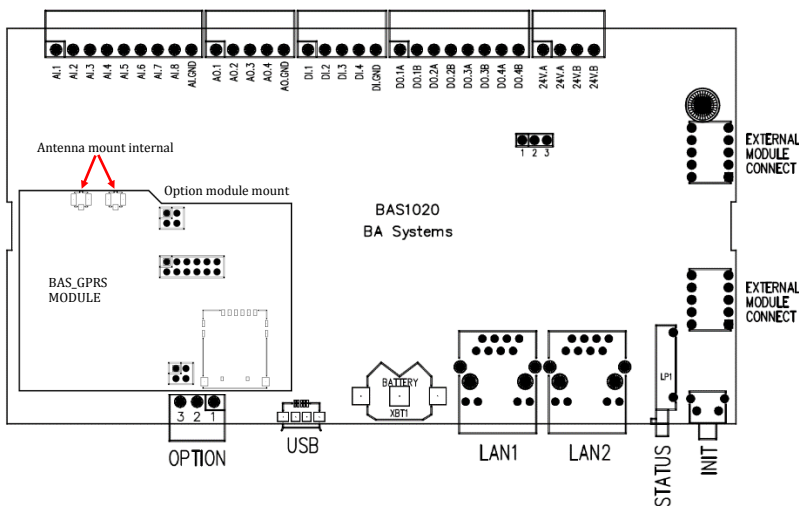
BAS_GPRS is a GPRS data modem module for use in BAS918/929/1020/WS302 controllers to be inserted in the internal module position as shown below.

Specification:

- Mounted in controller option port
- Powered from controller
- Dimension 54,2mm x 39,8mm
- 4G data modem with fallback option to 2G/3G on LTE Cat 1 band.
- Up to 4 LTE bands
- Support MIMO antenna connection
- Micro-SIM card socket on module
- Long term network support due to broadband connectability
- Minimum 10 years service guarantee
- Minimum 10 years of supply guarantee of existing or compatible module.



BAS1020: BAS_GPRS module mount



BAS_WS302: BAS_GPRS module mount

